

TABLE-TOP BLOOD PRESSURE KIOSK



*Integrated instruction panel



*Stand available separately

KEY FEATURES:



One Button Operation



Small Footprint



Result Printout



Irregular Heartbeat Indicator



Antibacterial Cuff



2 Year Warranty



Clinically Validated

Professional blood pressure kiosk has a small foot print, perfect for small pharmacies, mobile clinics or workplace screening. This durable monitor is designed to be used multiple times a day with simple directions to take proper measurements.

ACCURATE READING

This kiosk system has been clinically validated with rigorous protocols independent researchers and published.

INNOVATIVE TECHNOLOGY

The unique cuff inflation system stabilizes the arm and customizes the cuff circumference to the patient. This provides fast, accurate and reliable results.

EASY AND FAST OPERATION

Simply press a button to operate the machine. Integrated instruction panel allows patients to easily take their blood pressure without the aid of a healthcare professional.

FLEXIBLE APPLICATIONS

This monitor can be used as a health screening station, alone on a tabletop, or as part of a kiosk system. This makes it the ideal solution for use in clinics and retail pharmacies.

CUSTOMIZED RESULT PRINTOUT

A printer is standard with the TM-2657P. The printout can be customized with a store or hospital name and the user can keep it as a log and/or provide it to the nurse or doctor.

INTEGRATION

An optional *Bluetooth*® or RS232C communication module is available allowing connectivity and seamless collection of data.

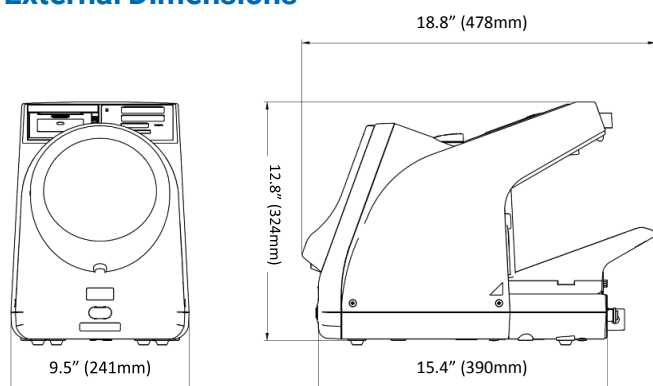
SANITARY SOLUTION

An anti-bacterial cuff cloth provides a sanitary solution. The cuff cloth is easily replaced.

Technical Specifications

Display	3 Digit Display LED & LED Lamp
Time/Date	12 Hour Format, Year, Month, and Day
Measurement Method	Oscillometric Measurement
Applied Pressure	Automatic Inflation by Air Pump
Pressure Display Range	0-299 mmHg
Accuracy	Pressure: ± 3 mmHg or 2%, Pulse: $\pm 5\%$
Cuff Size	Fits Arms 7.1"-13.8"
Clinical Test	EN1060-4:2004
AC Power Supply	100-240V, 5-60 HZ
Power Consumption	50-80 VA
Wired Communication	Optional RS-232C
Wireless Connection	Optional <i>Bluetooth</i> [®]
Safety Standard	IEC60601-1:2005
EMC Compliance	Complies with EMC Standard IEC60601-1-2:2007
Operating Environment Temperature	50°F to 104°F (10 to 40°C), Humidity: 30-85% RH (no condensation)
Storage Environment Temperature	-4°F to 140°F (-20 to 60°C), Humidity: 10-95% RH (no condensation)

External Dimensions



Packaging and Shipping Specifications

	Individual Unit (Box)
Dimensions (LxWxH) (in)	22.8" x 13.3" x 18.1"
Weight (lb)	19.55 lb
UPC	0-93764-60350-1

Stand Dimensions

	Individual Unit
Dimensions (LxWxH) (in)	25.38" x 4.63" x 22.38"
Weight (lb)	18.9 lb

What is in the Box

Kiosk Monitor
Power Cable
Printer Paper (1 Roll)
Antibacterial Arm Cuff Cover (5 Pieces/Set)
Instruction Manual
Patient Instruction Panel